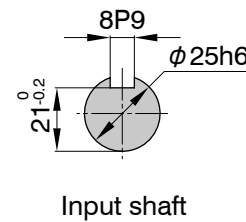
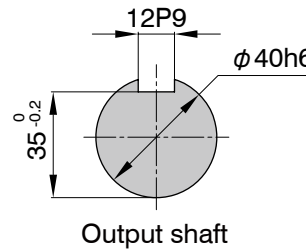
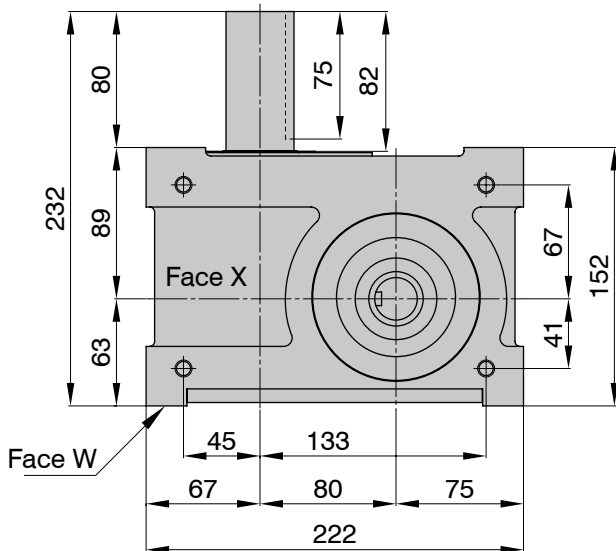
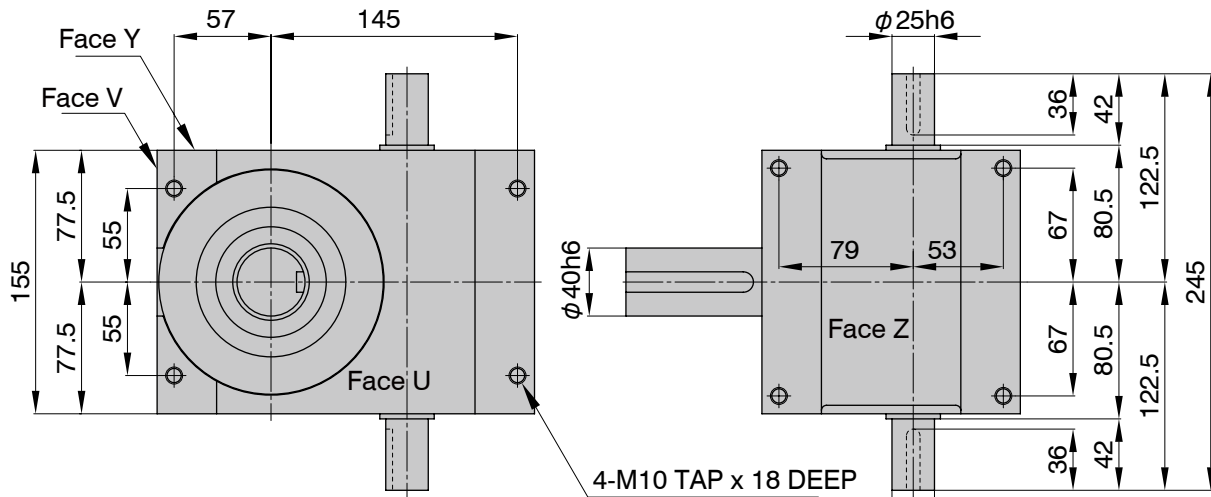
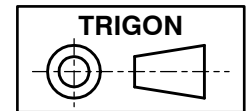


RI/RO-80S

Dimensions

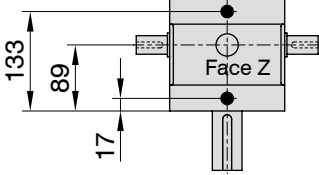
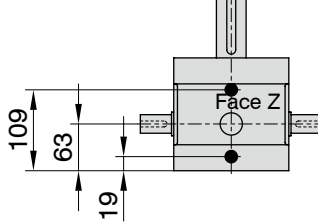
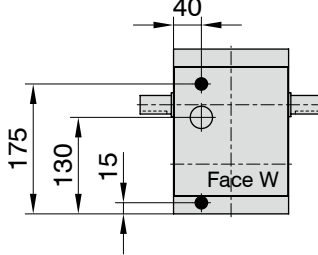
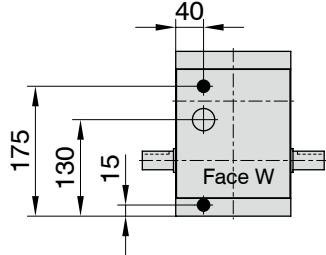
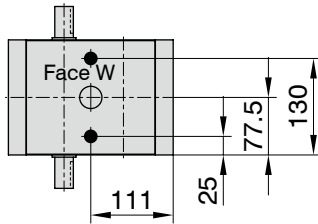
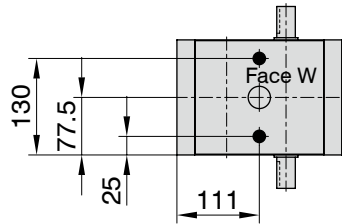


The keyway position of the input shaft in the drawing suggests the center of dwell period.



RI/RO-80S

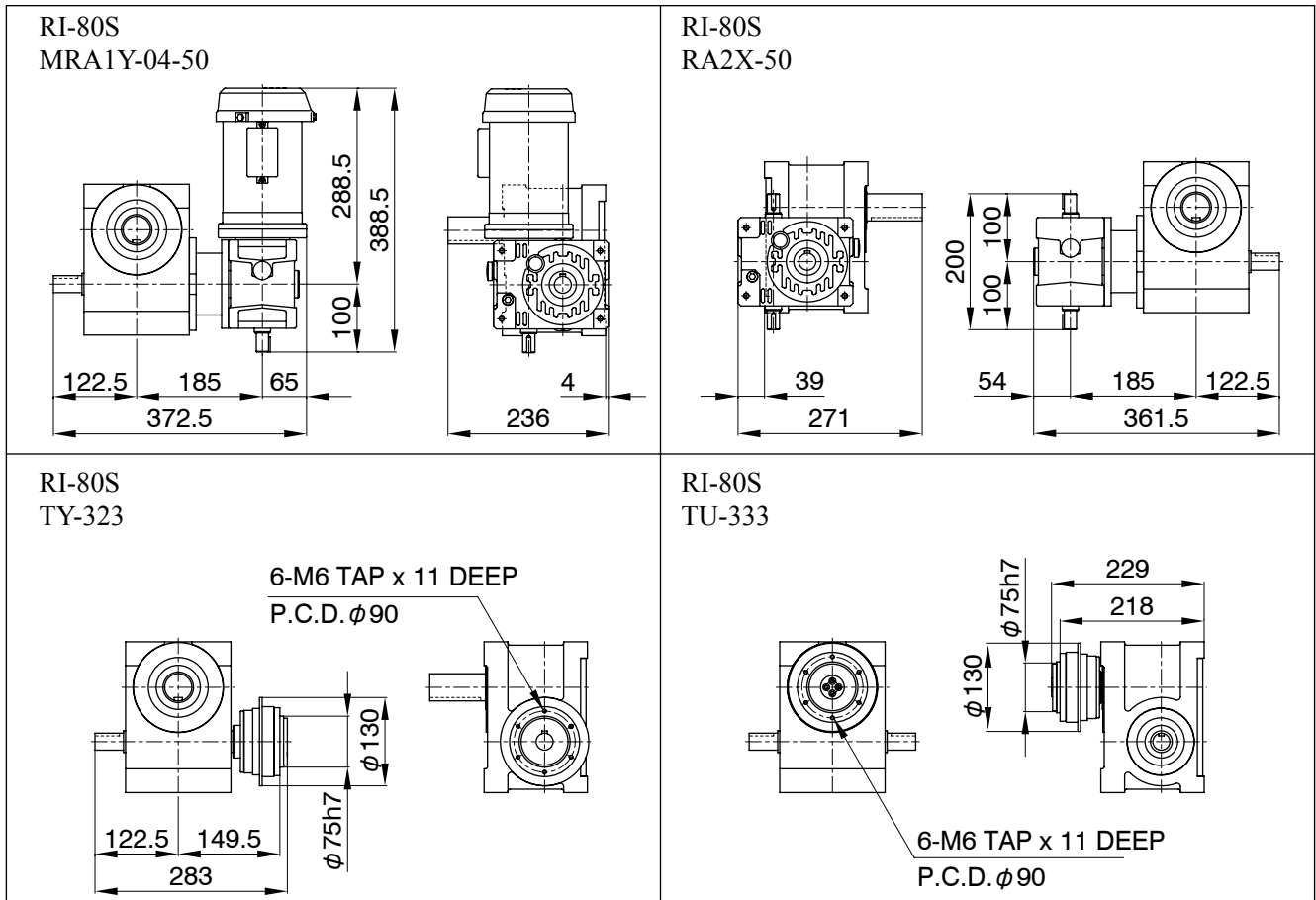
Style by Oil Plug Machining Position

Style A	Style B	Style C
		
Style D	Style E	Style F
		

Additional Information	
Filler, Drain (black circle)	Rc3/8
Level (white circle)	Φ30
Rough Product Weight	23kg
Rough Lubricating Oil Capacity	1.3 Liters
Mounting Tapped Holes	Machining the specified faces upon request

RI/RO-80S

Mounting Examples of Optional Parts



Additional Notes

- MA series worm reducer MAO50 can be mounted.
- Mounting positions of a drive unit is standardized as 16 different pattern.
- MYTORQ torque limiter 300 series can be mounted.
- Autoflex couplings can be mounted.
- Autogard torquelimiter 400 series or Autoflex couplings can be mounted on the input shafts of a worm reducer.