

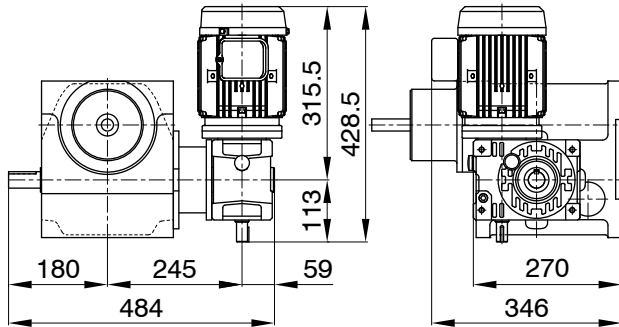
**Allowable Live Load Table (N)**

Lift Stroke Sh(mm)	Index Angle $\alpha$ (deg)	Allowable Live Load Wc (N)				Internal Load Wa (N)	Lift Stroke Sh(mm)	Index Angle $\alpha$ (deg)	Allowable Live Load Wc (N)				Internal Load Wa (N)
		Rotation Sped of Input (rpm)							Rotation Sped of Input (rpm)				
		30	40	50	60				30	40	50	60	
50	45	462.5	334.8	243.7	178.9	19.8	20	30	500.1	368.4	272.5	203.1	19.8
	60	544.4	426.2	334.0	262.3			45	603.1	490.3	399.1	325.1	
X				10	60			649.6	553.0	473.1	405.1		
40	30	368.6	242.2		162.0		110.2	30	595.3	478.3	384.7	309.7	
	45	504.8	377.8	283.6	214.1		45	660.3	566.3	488.5	422.0		
	60	578.3	464.4	373.3	300.3		60	686.5	604.8	538.4	481.3		
30	30	426.7	294.8	206.0	145.9		X				X		
	45	551.4	428.8	333.7	260.5		X						
	60	613.5	506.5	419.0	346.8		X						

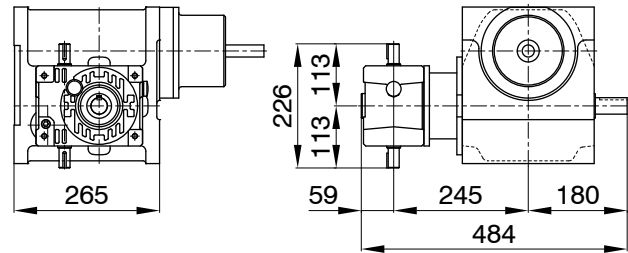
# PPI/PPO-100

# Mounting Examples of Optional Parts

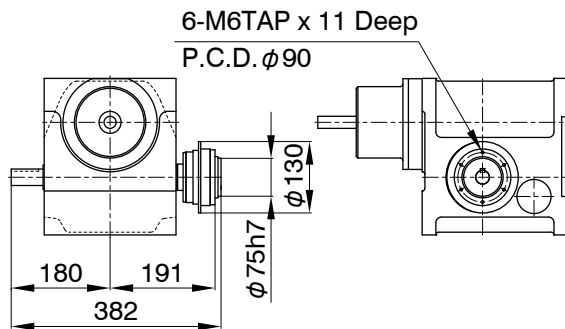
PPI/PPO-100  
MRA1Y-07-63



PPI/PPO-100  
RA2X-63



PPI/PPO-100  
TY-323



## Additional Notes

- MA series worm reducer MAO50 and 63 can be mounted.
- Mounting positions of a drive unit is standardized as 16 different pattern.
- MYTORQ torque limiter 300 series can be mounted.
- Autoflex couplings can be mounted.
- Autogard torquelimiter 400 series or Autoflex couplings can be mounted on the input shafts of a worm reducer.