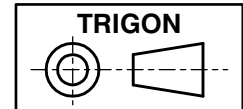
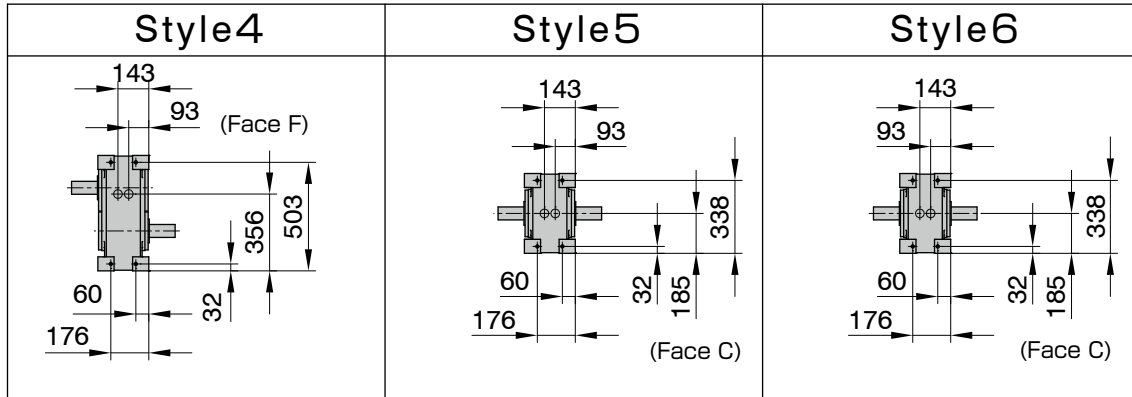
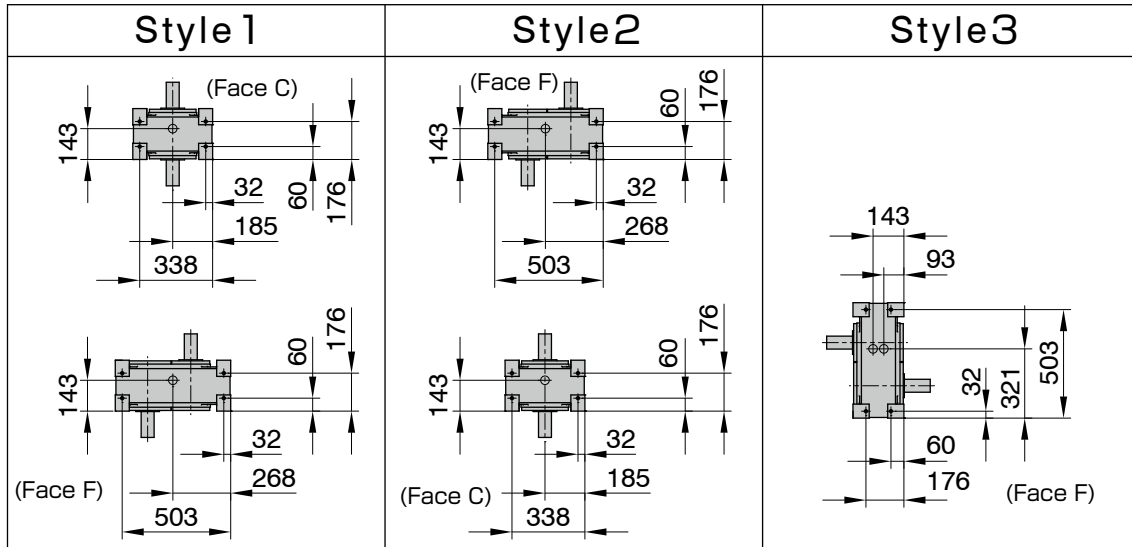


The keyway position of the input shaft in the drawing suggests the center of dwell period.

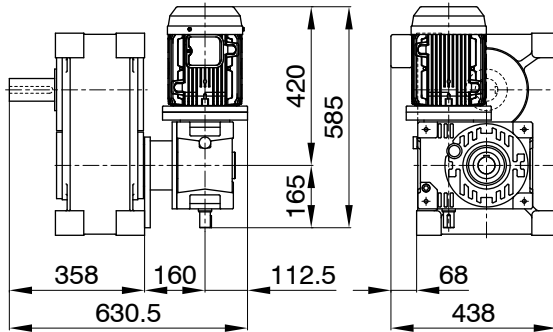




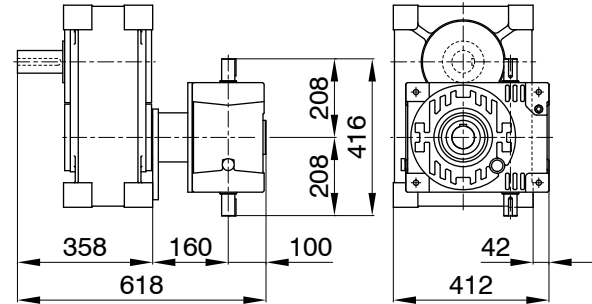
### Additional Information

Filler, Drain(black circle)	Rc1/2
Level (white circle)	$\phi$ 40
Rough Product Weight	160kg
Rough Lubricating Oil Capacity	10.8 Liters
Mounting Tapped Holes	Machining the specified faces upon request
Mounting Through-holes	Machining the specified faces upon request

PI-200S  
MRA1-22-100

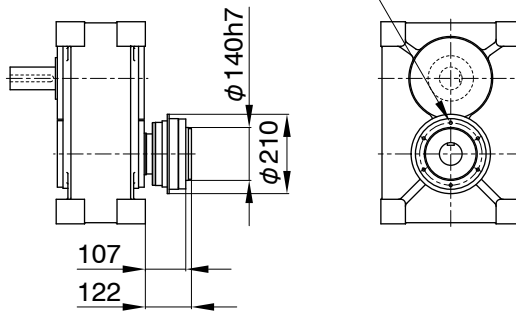


PI-200S  
RA2-125

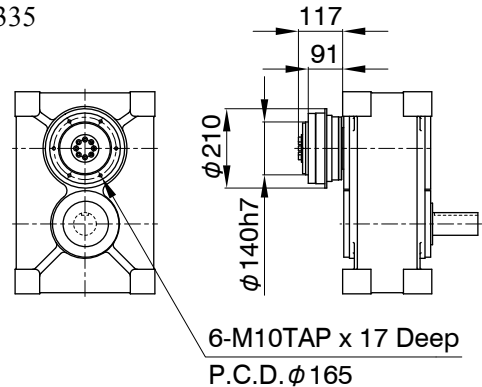


PI-200S  
TB-325

6-M10TAP x 17 Deep  
P.C.D.  $\phi$  165



PI-200S  
TA-335



### Additional Notes

- MA series worm reducer MAO100 and 125 can be mounted.
- Mounting positions of a drive unit is standardized as 8 different pattern.
- MYTORQ torque limiter 300 series can be mounted.
- Autoflex coup@lings can be mounted.
- Autogard torquelimiter 400 series or Autoflex couplings can be mounted on the input shafts of a worm reducer.